

# Platon® Stop Original

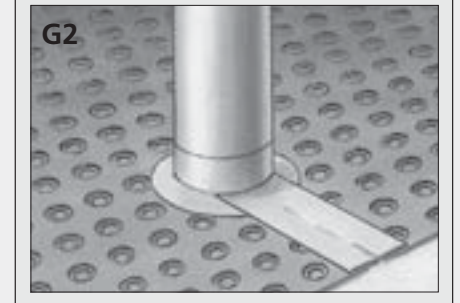
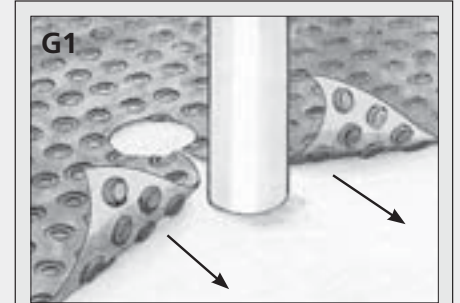
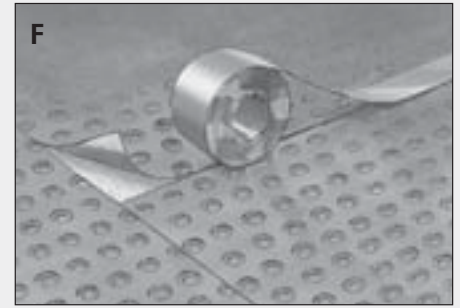
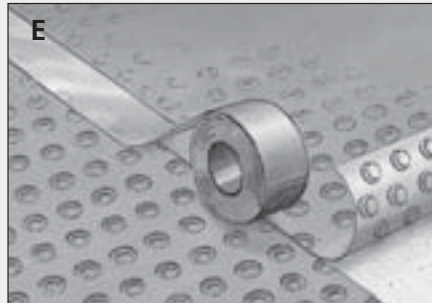
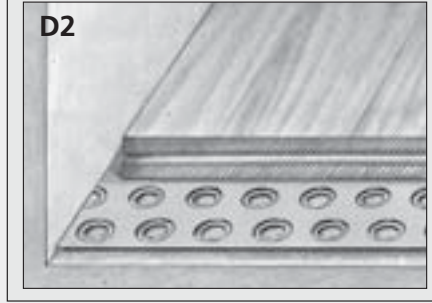
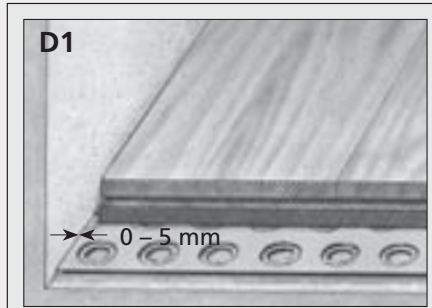
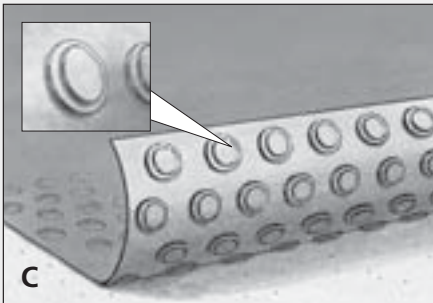
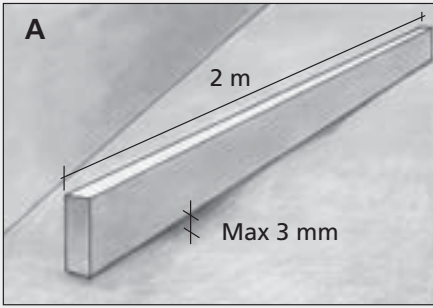
For parquet, laminate flooring and floating floor sheets



Installation instructions for floating floors

*Dry and healthy buildings*





### Before laying Stop Original

The moisture content in concrete and special screeds should be max. 5% mc using CM method, or 95% RH using drilled hole method; for anhydrite screeds: max. 1.5% mc using CM method; for anhydrite screeds with integrated floor heating systems: max. 0.3% mc using CM method - before laying Stop Optimal and the wood based floating floor. Isola offers other damp proofing products for damp problems in concrete substrates. Ask your distributor for more information.



### A. Tolerance requirement for the substrate

Level uneven surface to meet requirements of max. 3 mm within a distance of 2 metres. For concrete floors or similar use a cement based self-levelling screed.

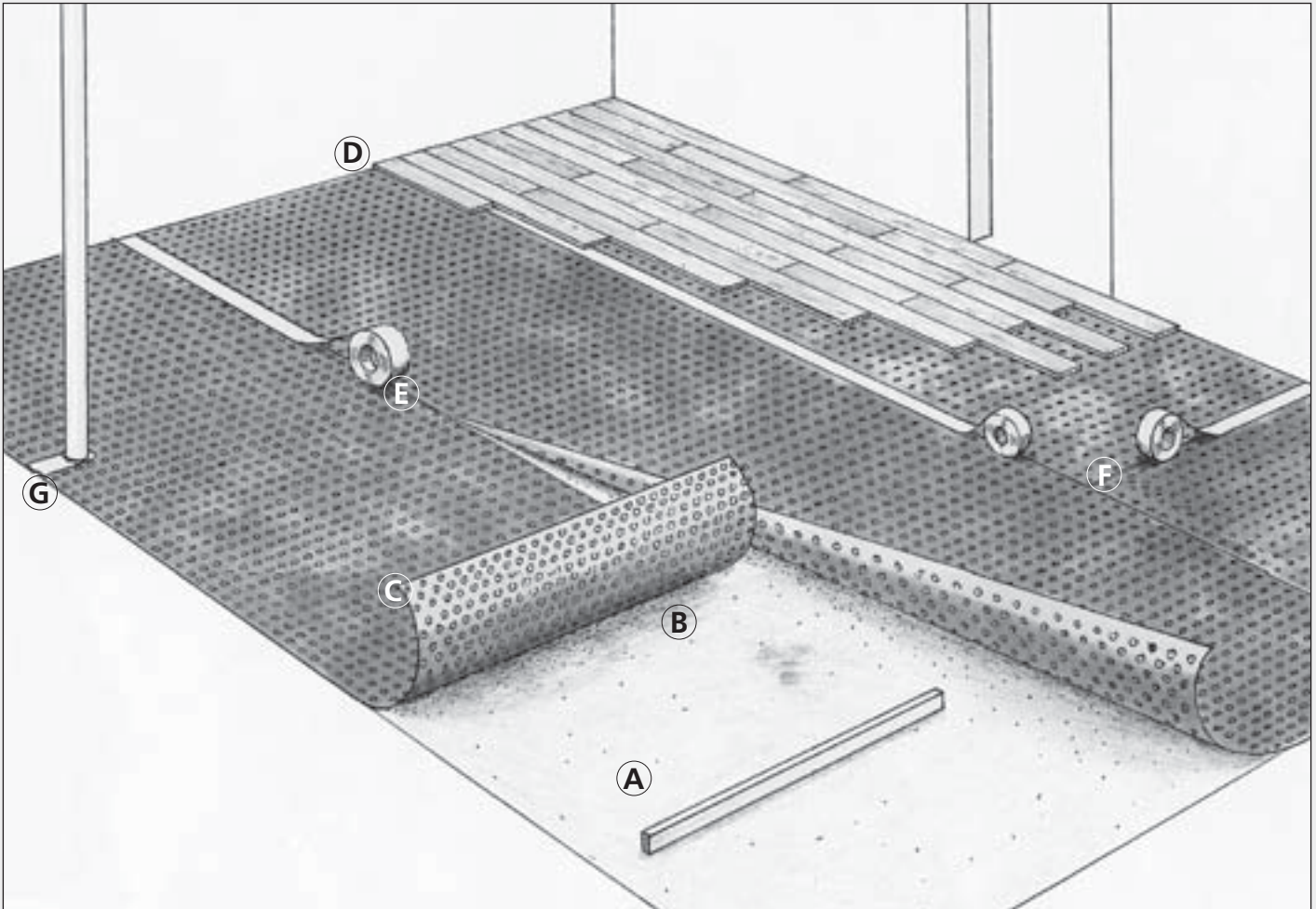
### B. Cleaning substrate surface

The substrate surface should be cleaned with an (industrial) vacuum cleaner for material waste and wood shavings, etc.

### C. Laying Platon Stop Original

Platon Stop Original is laid with studs down against the substrate. It may be laid in the same direction as for the intended floor covering.

Load spreading sheets are not required between Stop Original and the floor covering as the maximum possible deformation under any point load is well within the accepted maximum deflection for floating floors of 2 mm.



## D. Detail at floor/wall junction

### D.1.

Stop Original is designed for normal moisture in concrete and other substrates, not damp problems. There is no specific requirement for venting along walls, but may be done if desired. Stop Original may therefore be laid with spacing from 0 to 5 mm against walls.

Isola offers other damp proofing products for damp problems in concrete substrates. Ask your distributor for more information.

### D.2.

Floor coverings should be laid allowing for expansion against walls, normally 5 to 10 mm. Refer to the manufacturer's information for guidance.

## E. Longitudinal joints

The rolls widths of Stop Original are laid edge to edge. The joint is sealed with Platon Stop Tape, supplied with each product roll, width 75 mm, laid along the joint, working from one end and covering each roll width equally. It may be advisable to spot fix the two Stop Original widths at suitable intervals with Stop Tape, before taping the joint.

Stop Tape should not be stretched during application, but (after the whole tape length has been applied) be pressed firmly against the surface of Stop Original using hand pressure or similar.

No other tape is recommended or approved by Isola for use in joints or details with Platon Stop.

## F. Transverse joints

Roll ends of Stop Original are laid edge to edge and the joint sealed with Stop Tape as in E above. Take care to seal the junction between longitudinal and transverse joints.

## G. Pipes and other details

### G.1.

Stop Original should be cut flush around pipes through the floor and other details.

### G.2.

Cuts in Stop Original should be sealed with Stop Tape.

# Platon® Stop Original



## Wood based floor coverings

Floor coverings may be laid without delay, either after finished laying Stop Original over the whole floor, or in stages. Stop Original is very suitable for all types of wood based floating floor parquet, laminate flooring, whether glued or glue-free, floor grade chipboard, OSB and plywood, with tongue and groove joints, and other floating floor products. Foam underlay should not be used in addition to Stop Original.

## Platon Stop Tape

Platon Stop Tape has very good adhesion and withstands alkaline damp. No other tape is recommended or approved by Isola for use in joints or details with Platon Stop.

## Thermal insulation

Thermal insulation sheets of type extruded polystyrene (XPS, min. 30 kg/m<sup>3</sup>) may be laid between Stop Original and the floor covering. Sheets should preferably have joints and should be laid staggered for good stability of the finished floor. If sheets, which have not been ready planed for a noise free result, are used then kraft paper or similar should be laid under the floor covering.

## Floor heating systems

Heating systems may be laid with Stop Original between Original and the floor covering, provided they are approved for use against flammable surfaces (low voltage and some 230 volt systems are approved). Where heating system suppliers specify a protecting layer of foam, felt or similar, these should be of a minimum thickness. PE film or similar should not be used, but replaced by felt or non-woven.

Alternatively, Stop Original may be laid on substrates containing heating pipes or cables.

The heating system should not be switched on before the adhesive for the floor covering, if glued, has properly set. Refer to floor manufacturer's information for guidance. Generally, the control temperature should be raised from room temperature by 5°C intervals per 24 hours to a maximum of 30°C.

Isola offers other damp proofing products for damp problems in concrete substrates. Ask your distributor for more information.



ISO 9001



Manufactured by Isola as, Platon Factory, N-3678 Notodden



Dry and healthy buildings



## Isola as

N-3945 Porsgrunn  
Tel: +47 35 57 57 00  
Fax: +47 35 55 48 44  
E-mail: [isola@isola.com](mailto:isola@isola.com)

[www.isola.com](http://www.isola.com)